



## **AEC 12 MONOCHROME**

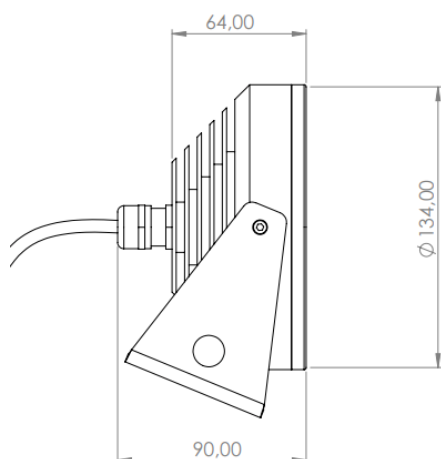
Spotlight waterproof, which integrates 12 monochromatic Power LEDs in an anodised aluminium body. With its specific optics, it provides extensive or intensive luminous flux depending on the application.

### **APPLICATION**

- Architectural
- Functional Lighting

# AEC12 Monochrome

Technical data	AEC12
Dimensions	H90 mm x $\varnothing$ 134 mm
Number of LEDs	12
Power	25W
Luminous flux	3000 lumens (White)
Materials	Anodized aluminium body and polycarbonate lens
Colors	White   Blue   Red   Green ...
color temperature	2700K   3000K   4000K   5600K   6500K
Angle	10°   20°   35°   50°   elliptic
Life Span	50 000 hours
operating temperature	-20°C to +45°C
Voltage	24Vcc
Ampere	500 or 700 mA
Optional dimming	DMX   PWM
Electrical class	Class III
Connection	Câble L = 1m 2x1mm <sup>2</sup>
IK	IK10
IP	IP67
Fixation	Anodised aluminium or stainless steel 2-point swivel mounting bracket
Compliance	CE   NF-EN 60598
Glow wire test	850°C
Warranty	5 years
Place of manufacture	France



Photometric data +/- 10%, the manufacturer reserves the right to modify the characteristics without prior notice.



04 78 56 62 62  
[info@eccelectro.com](mailto:info@eccelectro.com)  
[www.eccelectro.com](http://www.eccelectro.com)