



AEC 18 MONOCHROME

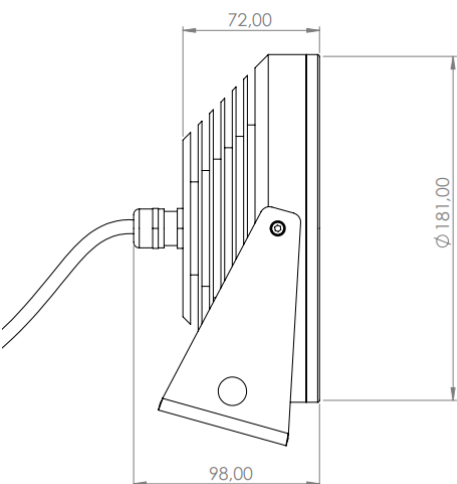
Waterproof monochrome architectural LED floodlight that integrates 18 Power LEDs in an anodised aluminium body. With its specific optics, it provides extensive or intensive luminous flux depending on the application.

APPLICATION

- Architectural
- Functional lighting

AEC18 Monochrome

Technical data	AEC18
Dimensions	H98 mm x ø181 mm
Number of LEDs	18
Power	35W
Luminous flux	4700 lumens (White)
Materials	Anodized aluminium body and polycarbonate lens
Color	White Blue Red Green ...
color temperature	2700K 3000K 4000K 5600K 6500K
Angle	10° 20° 35° 50° elliptic
Life span	50 000 hours
operating temperature	-20°C to +45°C
Tension	24Vcc
Ampere	500 or 700 mA
Optional dimming	DMX PWM
Electrical class	Class III
Connection	Câble L = 1m 2x1mm ²
IK	IK10
IP	IP67
Fixation	Anodised aluminium or stainless steel 2-point swivel mounting bracket
Compliance	CE NF-EN 60598
Glow wire test	850°C
Warranty	5 years
Place of manufacture	France



Photometric data +/- 10%, the manufacturer reserves the right to modify the characteristics without prior notice.



04 78 56 62 62
info@ecceselectro.com
www.ecceselectro.com