

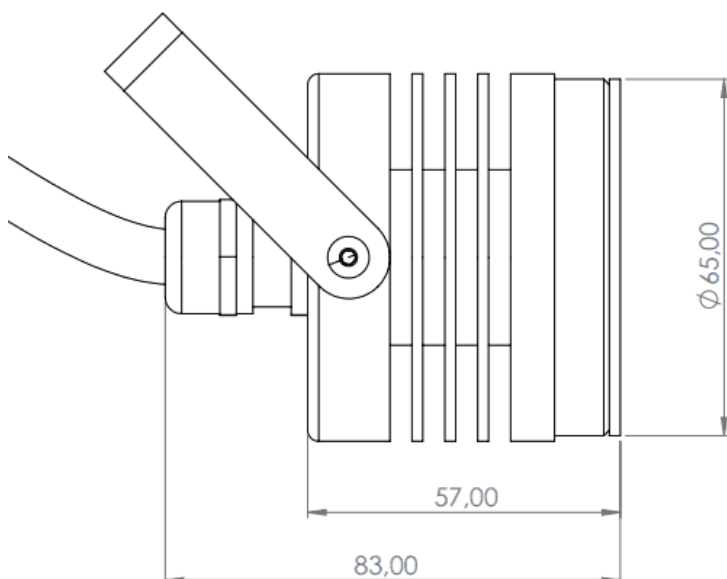
# AEC 4 FLOODLIGHT

Floodlight LED | Indoor | Outdoor

White | Colors | RGBW



Waterproof floodlight that integrates 4 Power LEDs in an anodized aluminum or 316L stainless steel body. With its specific optics, it provides an extensive or intensive monochromatic luminous flux according to the applications



## APPLICATIONS:

- Architectural lighting
- Functional lighting

# AEC 4 FLOODLIGHT

Floodlight LED | Indoor | Outdoor

Technical data	AEC4
Dimensions	H57mm x ø65mm
Number of LED	4
Power	8W
Luminous flux	1000 lumens (white)
Materials	Anodized aluminum or 316L stainless steel body and polycarbonate glass
Color	White   Blue   Red   Green   RGBW
Color temperature	2700K   3000K   4000K   5600K   6500K
Angle	10° to 120°
Lifespan	50 000 hours L 70
operating temperature	-20°C to +45°C
Tension	24Vcc
Optional dimming	DMX   PWM   Tension
Electrical class	Class III
Connection	Câble L = 1m 2x1mm <sup>2</sup>
IK	IK10
IP	IP67
Attachment	Anodized aluminum or stainless steel 2-point adjustable mounting bracket
Compliance	CE   NF-EN 60598
Glow Wire Test	850°C
Warranty	5 years
Place of manufacture	France

Données photométriques +/- 10%, le fabricant se réserve le droit de modifier les caractéristiques sans préavis