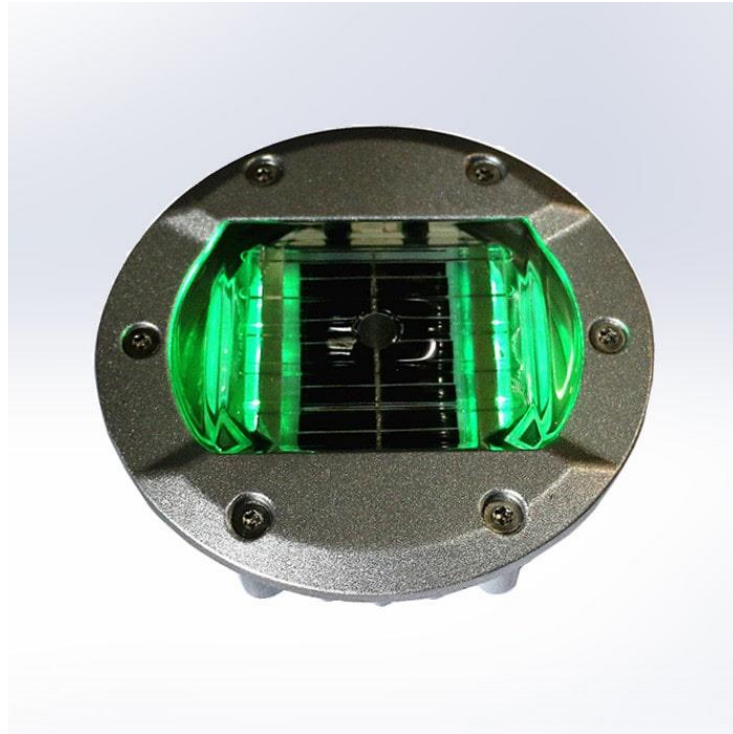


VEGA BIDIRECTIONAL

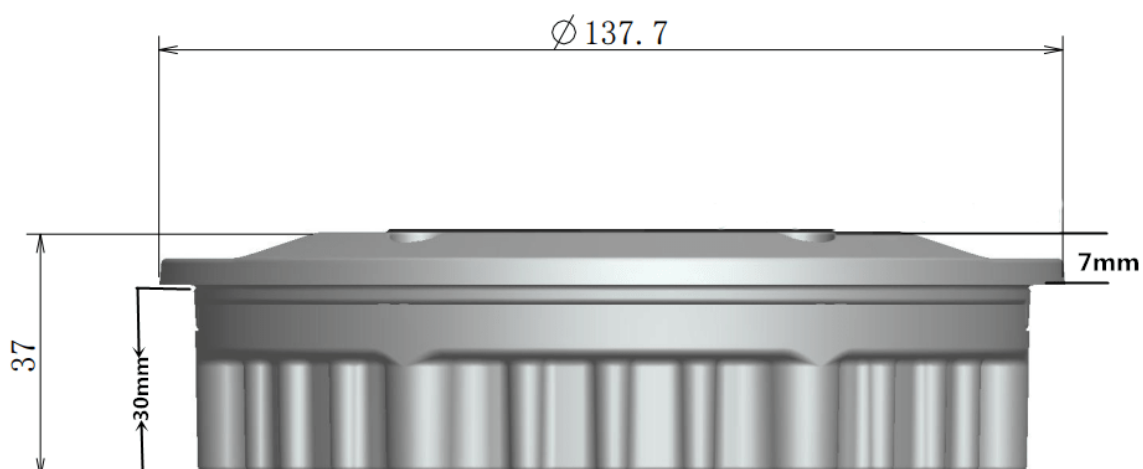
Solar LED Marker | Outdoor



Solar powered bi-directional LED road marker is made of high strength metal to withstand passing vehicles. This LED beacon is usually installed along the road marking lines, to indicate the direction of the road at night or on rainy or foggy days. It can be either flashing or steady light.

APPLICATIONS:

- Roundabout markers
- Footbridge marking
- Urban beaconing



VEGA BIDIRECTIONNAL

Solar LED Marker | Outdoor

Data Sheet	VEGA Flashing Solar LED Marker
Dimension	Height 37mm et Ø138mm (7mm above the ground)
Number of LEDs	2 x 3 LED
Bright mode	Constant / Flashing
Battery Duration	12 hours
LED Color	Red / Blue / Green / Yellow / White /
Visuel Remote	250 m
Lifetime	5 years
Operating Temperature	-20°C to +80°C
Electric class	Class III
Mechanical strength	35 Tons
IP	IP68
IK	IK10
Materials Body	Aluminum
Warranty	2 years

Photometric data +/- 10%, the manufacturer reserves the right to modify the characteristics without notice